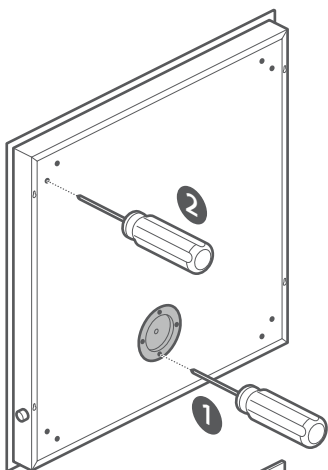
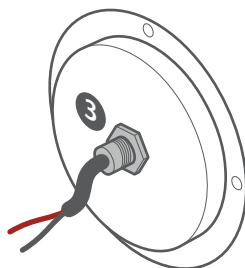


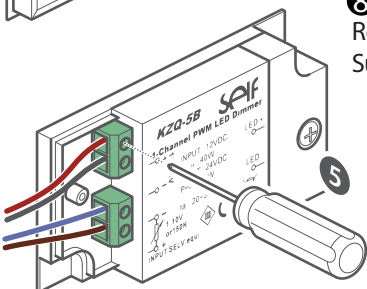
Hide the transformer in the rear of the mirror if you wish to hard wire into a mains supply. We advise using a qualified electrician for this task. If this work is completed exactly inline with the instructions, your warranty will remain valid.



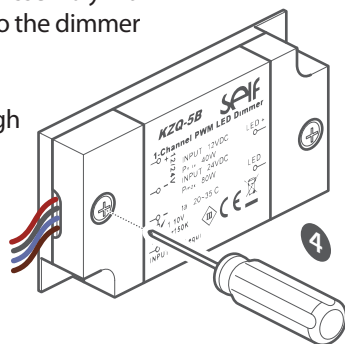
- 1 Remove Power Plate Screws
- 2 Remove Rear Panel Screws and Panel



- 3 Unscrew Power Input Nut
- 4 Remove Dimmer Wire Cover
- 5 Remove Red/Black Power Input Wires From dimmer



- 6 Remove Red/Black Input Wire Assembly From Mounting Plate (3) and reconnect to the dimmer
- 7 Plug in Power Supply
- 8 Feed Mains Power Lead through Rear Panel, and Connect to Power Supply



- 9 Reattach Rear Panel
- 10 Cut the cable to the required length by removing the plug

