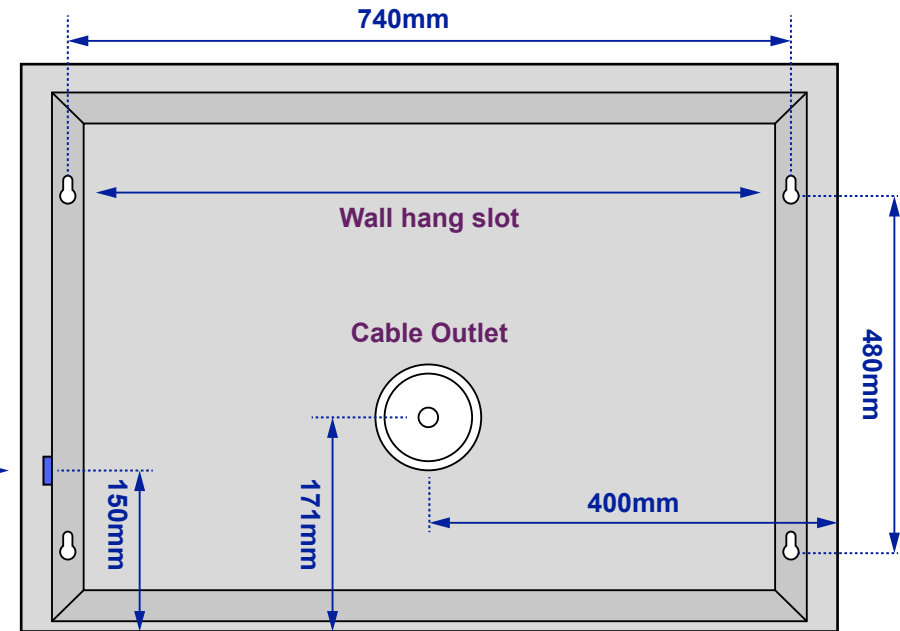


Views of complete assembly - With Mirror



Views of Mount and light assembly - Without Mirror