

Diamond X
EXCEPTIONAL MIRRORS. COLLECTION
FOR ELEGANT BATHROOMS.

From

www.illuminated-mirrors.uk.com

CE ROHS



Hollywood Make-up Mirrors

Model Numbers: 100877K110, K111, K112, K113, K153
K89s, K411s, h90s, h95s, K518s

Thank you for purchasing our illuminated mirror(s).

To avoid product damage, personal injuries, carefully read, understand, and follow all the Instructions in this installation guide before installing the product.

Save this manual for future reference.



CONTENT

I. PARTS

II. STAND ASSEMBLY

Step 1: *Unpack the mirror carefully.*

Step 2: *Lay all the parts out ready for assembly.*

Step 3: *Using a screwdriver attach main struts to base.*

Step 4: *Using a screwdriver attach base to bottom of mirror through pre-drilled holes.*

Step 5: *Drill pilot holes and then screw support brackets to rear of mirror frame.*

Step 6: *Lift mirror carefully into required location and install the bulbs (included).*

Step 7: *Your Hollywood Mirror is now ready to use! Enjoy*

III. WALL MOUNT

Step 1: *Unpack the mirror carefully.*

Step 2: *Lay all the parts out ready for assembly.*

Step 3: *Measure the rear slots locations on the rear of the mirror.*

Step 4: *Decide location on the wall to hang the mirror and mark slot location.*

Using drill make holes and fill with supplied plugs and screws ready to hang mirror.

Step 5: *Carefully locate screws into slots and hang the mirror.*

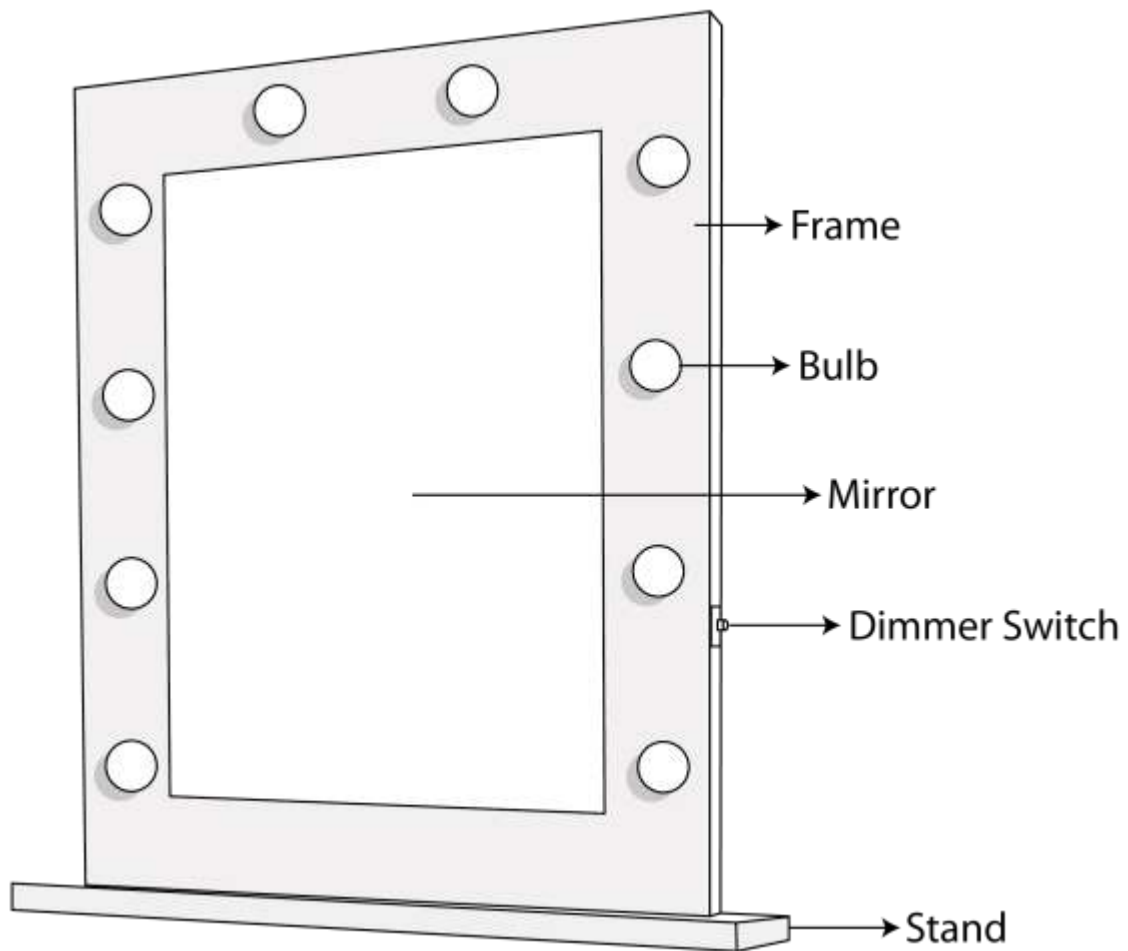
Step 6: *Lift mirror carefully into required location and install the bulbs (included).*

Step 7: *Your Hollywood Mirror is now ready to use! Enjoy.*

IV. CARE AND CLEANING

I. PARTS

(Figure i) – Hollywood Mirror and its parts.



II. STAND ASSEMBLY

Stand Assembly Step 1:

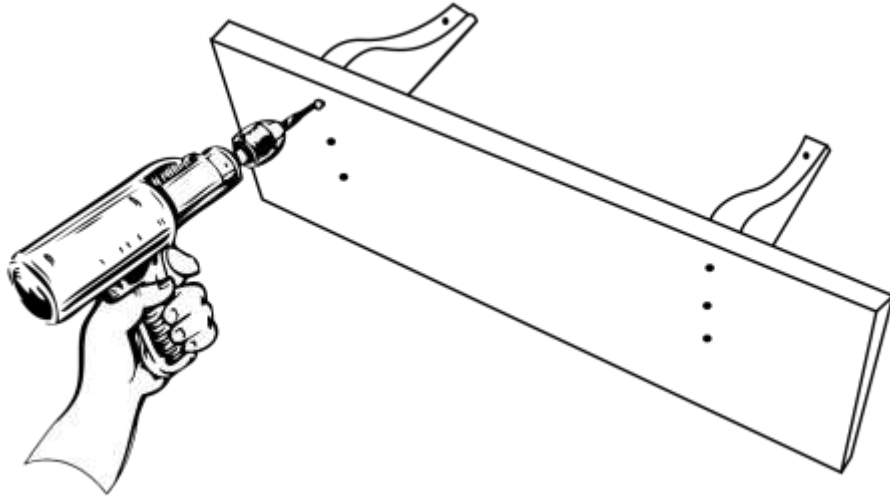
- Unpack the mirror carefully.

Stand Assembly Step 2:

- Lay all the parts out ready for assembly.

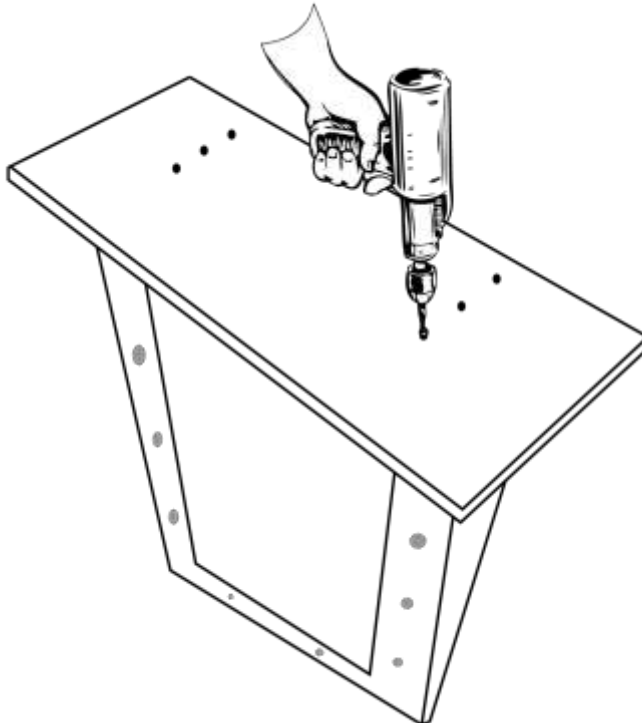
Stand Assembly Step 3:

- Using a screwdriver attach main struts to base.



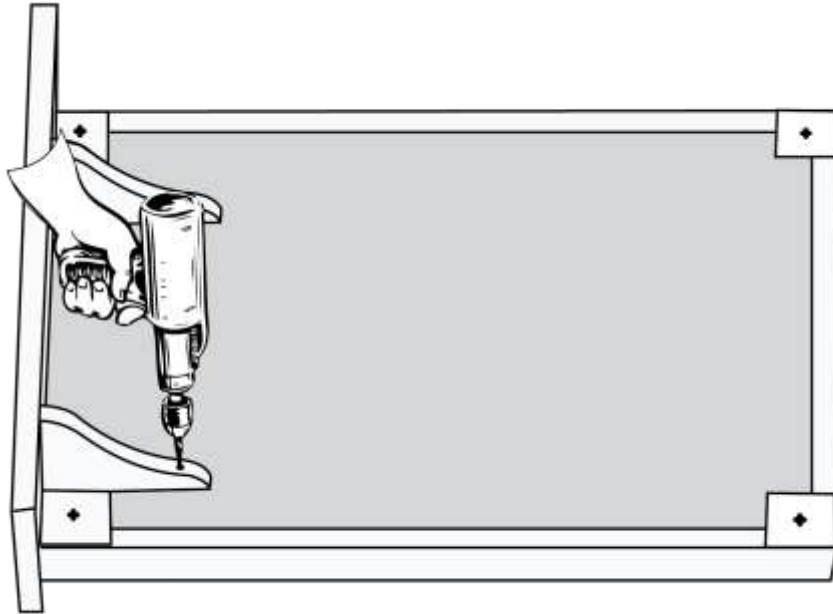
Stand Assembly Step 4:

- Using a screwdriver attach base to bottom of mirror through pre-drilled holes.

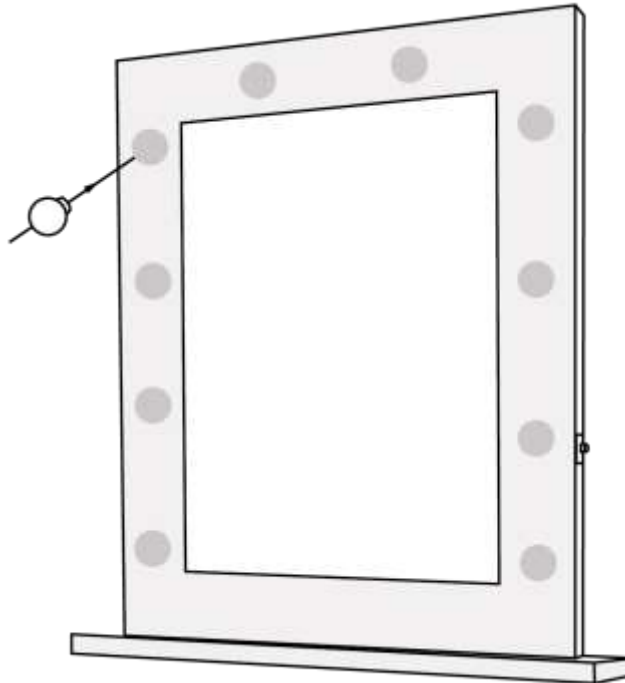


Stand Assembly Step 5:

- Drill pilot holes and then screw support brackets to rear of mirror frame.

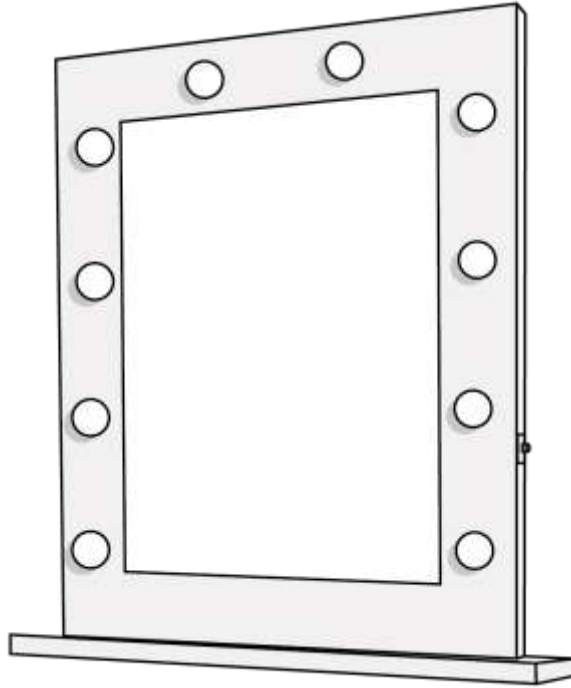
**Stand Assembly Step 6:**

- Lift mirror carefully into required location and install the bulbs (included).



Stand Assembly Step 7:

- Your Hollywood Mirror is now ready to use! Enjoy.

**III. WALL MOUNT****Wall Mount Step 1:**

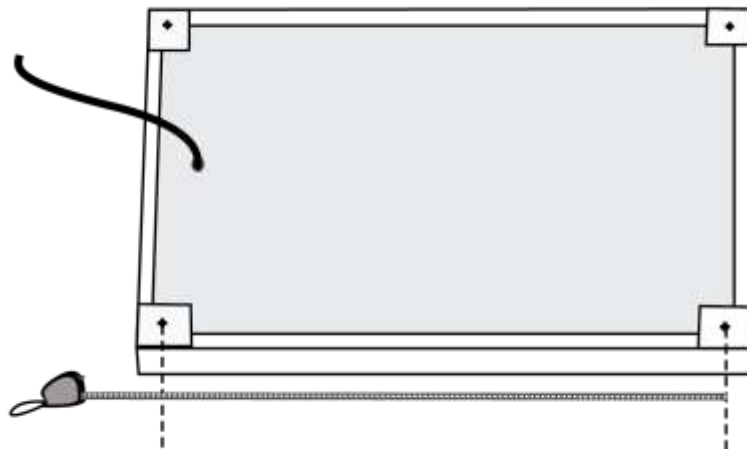
- Unpack the mirror carefully.

Wall Mount Step 2:

- Lay all the parts out ready for assembly.

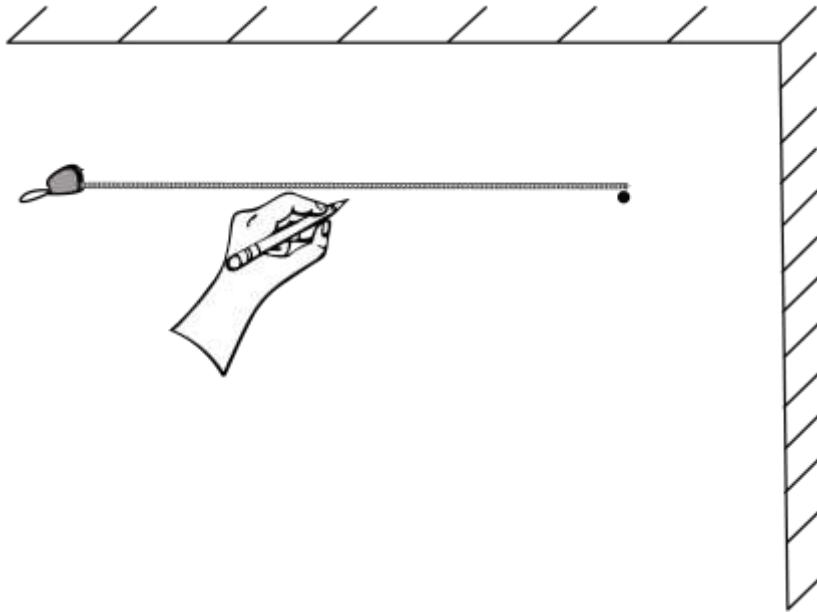
Wall Mount Step 3:

- Measure the rear slots locations on the rear of the mirror.

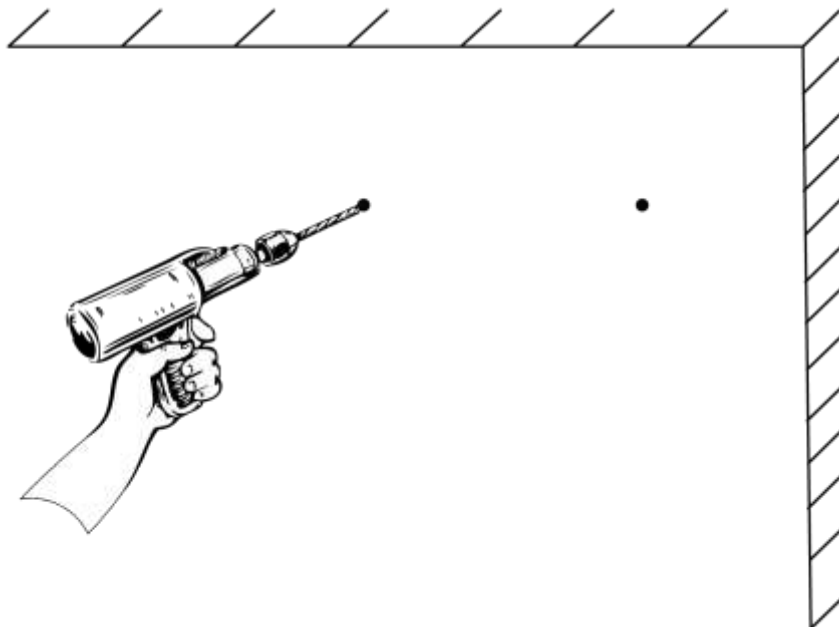


Wall Mount Step 4:

- Decide location on the wall to hang the mirror and mark slot locations.

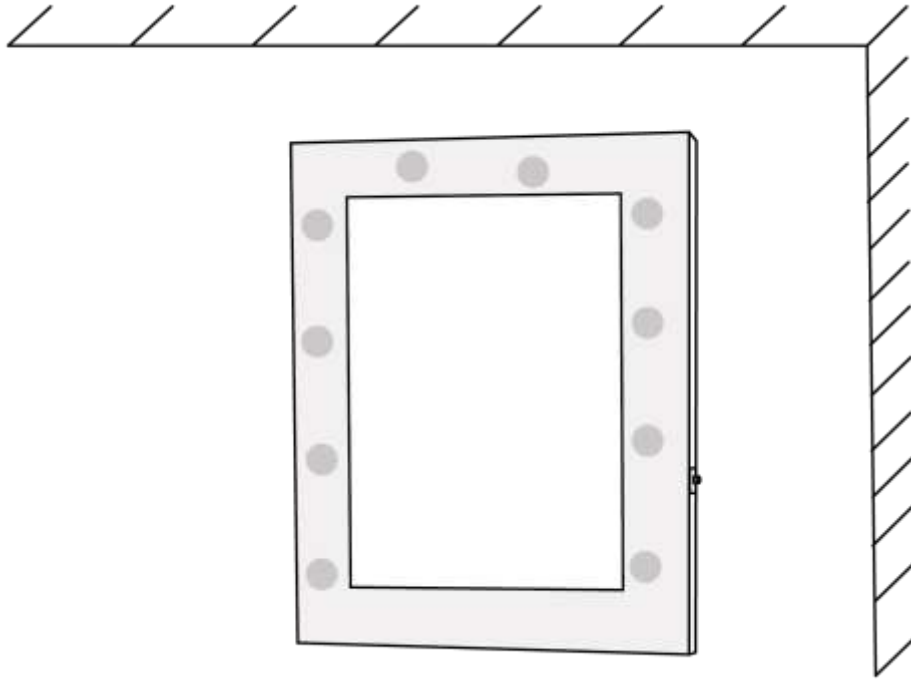


- Using drill make holes and fill with supplied plugs and screws ready to hang mirror.

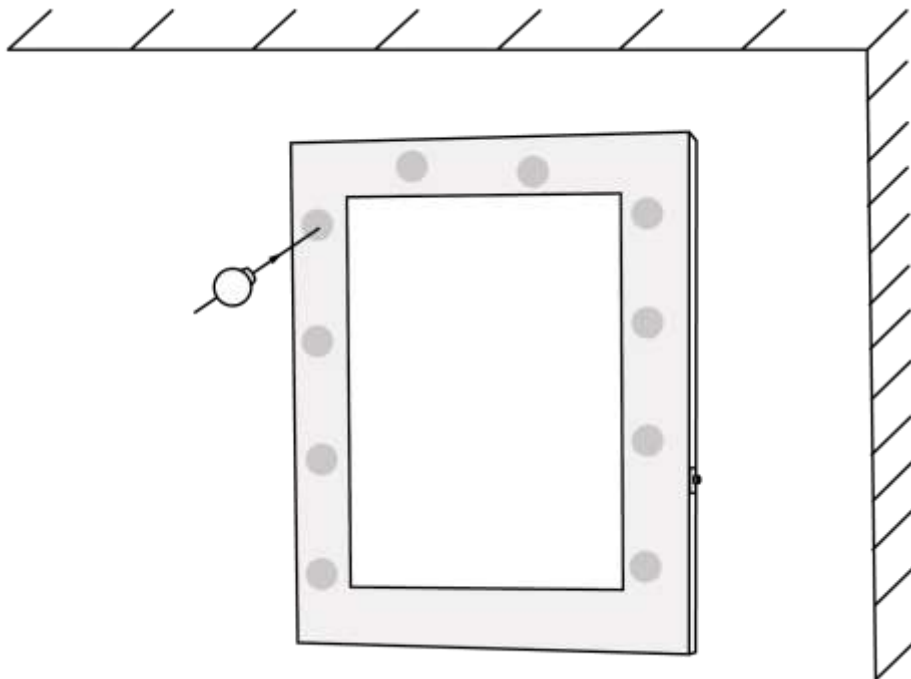


Wall Mount Step 5:

- Carefully locate screws into slots and hang the mirror.

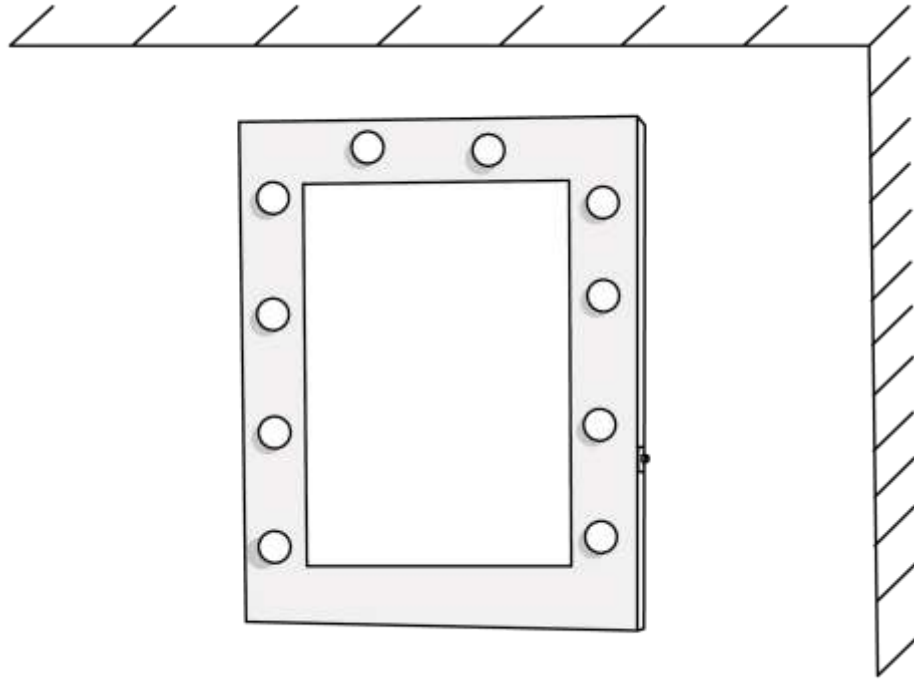
**Wall Mount Step 6:**

- Lift mirror carefully into required location and install the bulbs (included).



Wall Mount Step 7:

- Your Hollywood Mirror is now ready to use! Enjoy.

**IV. CARE AND CLEANING**

- Please be aware when cleaning the mirror surface, do not to use abrasive materials as these will damage the overall finish.
