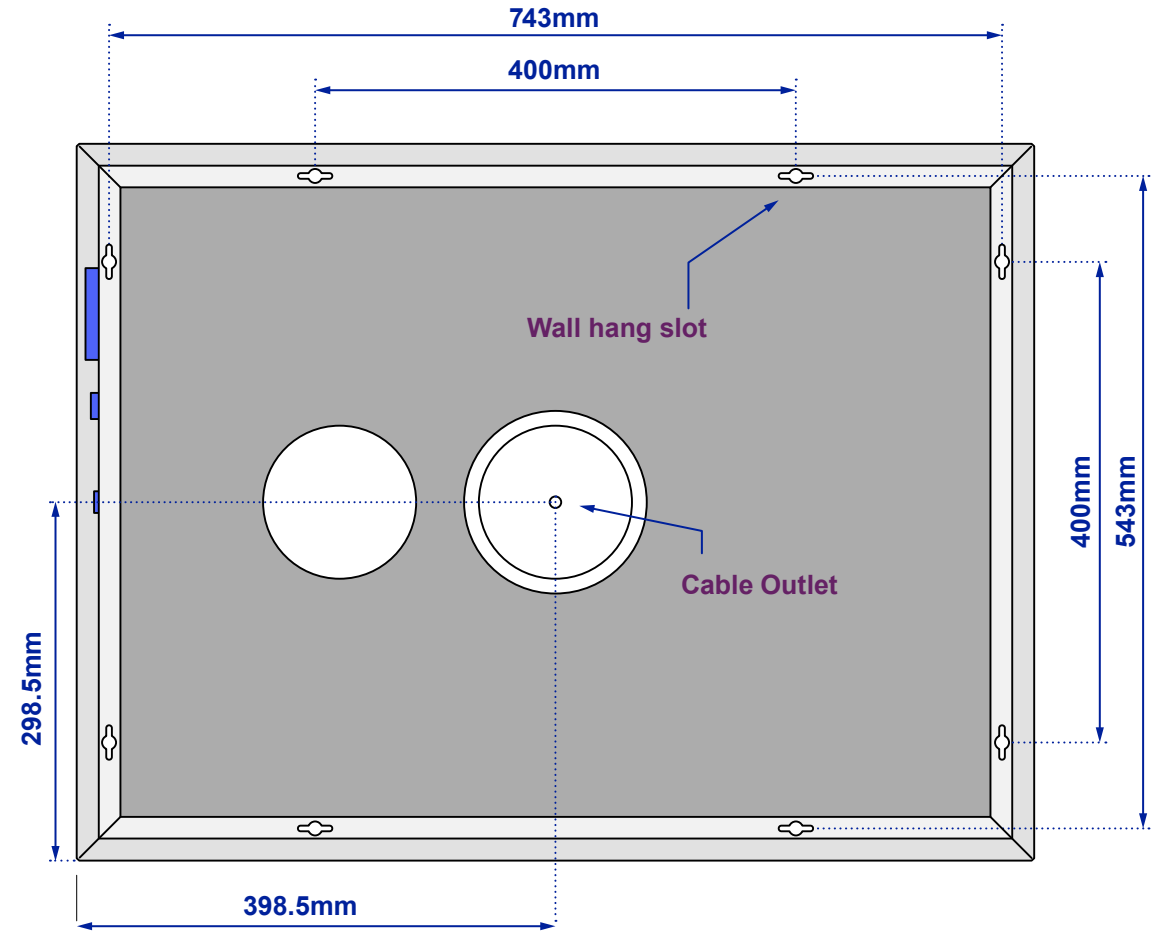


Views of complete assembly



View of Back plate