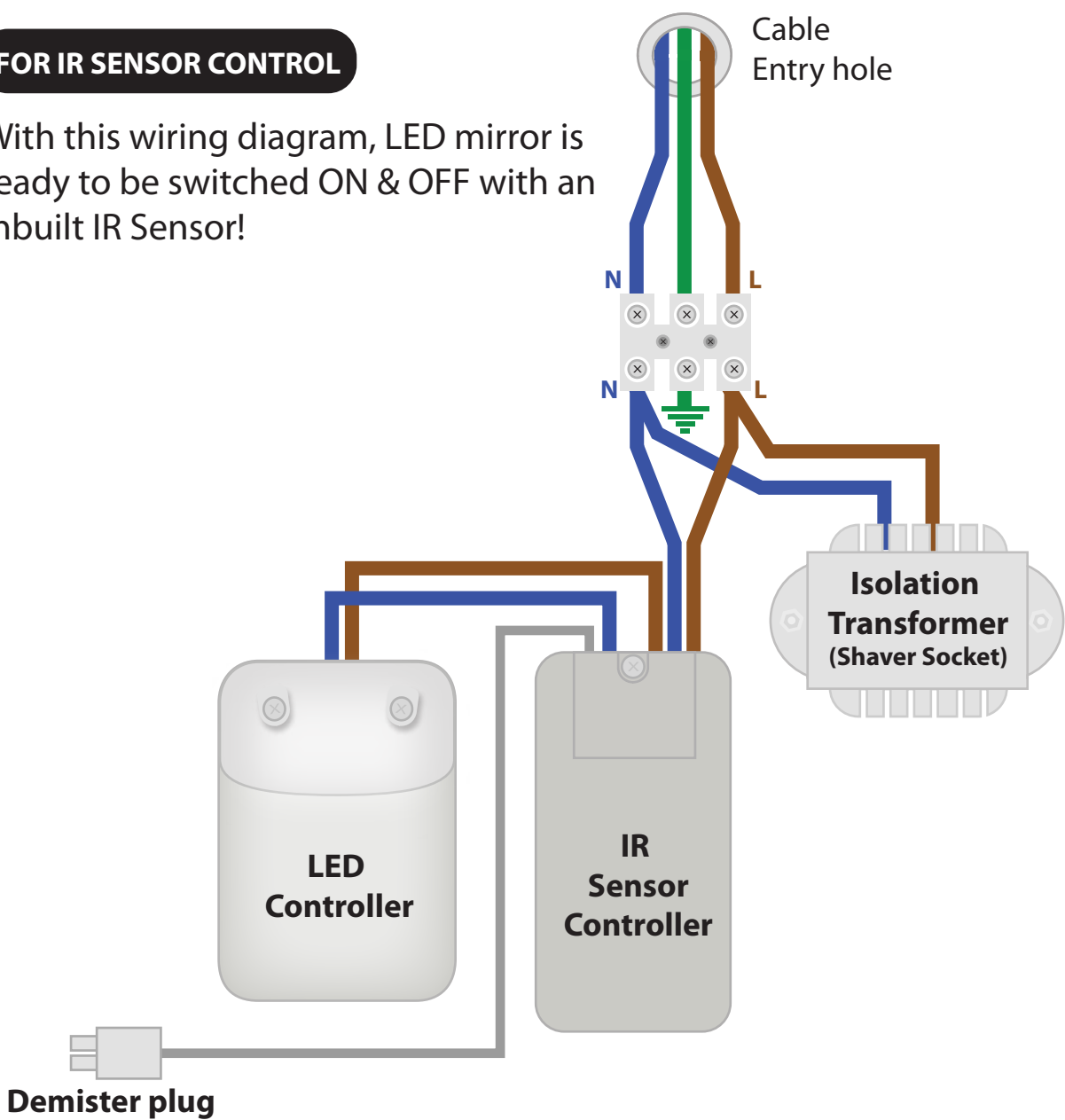


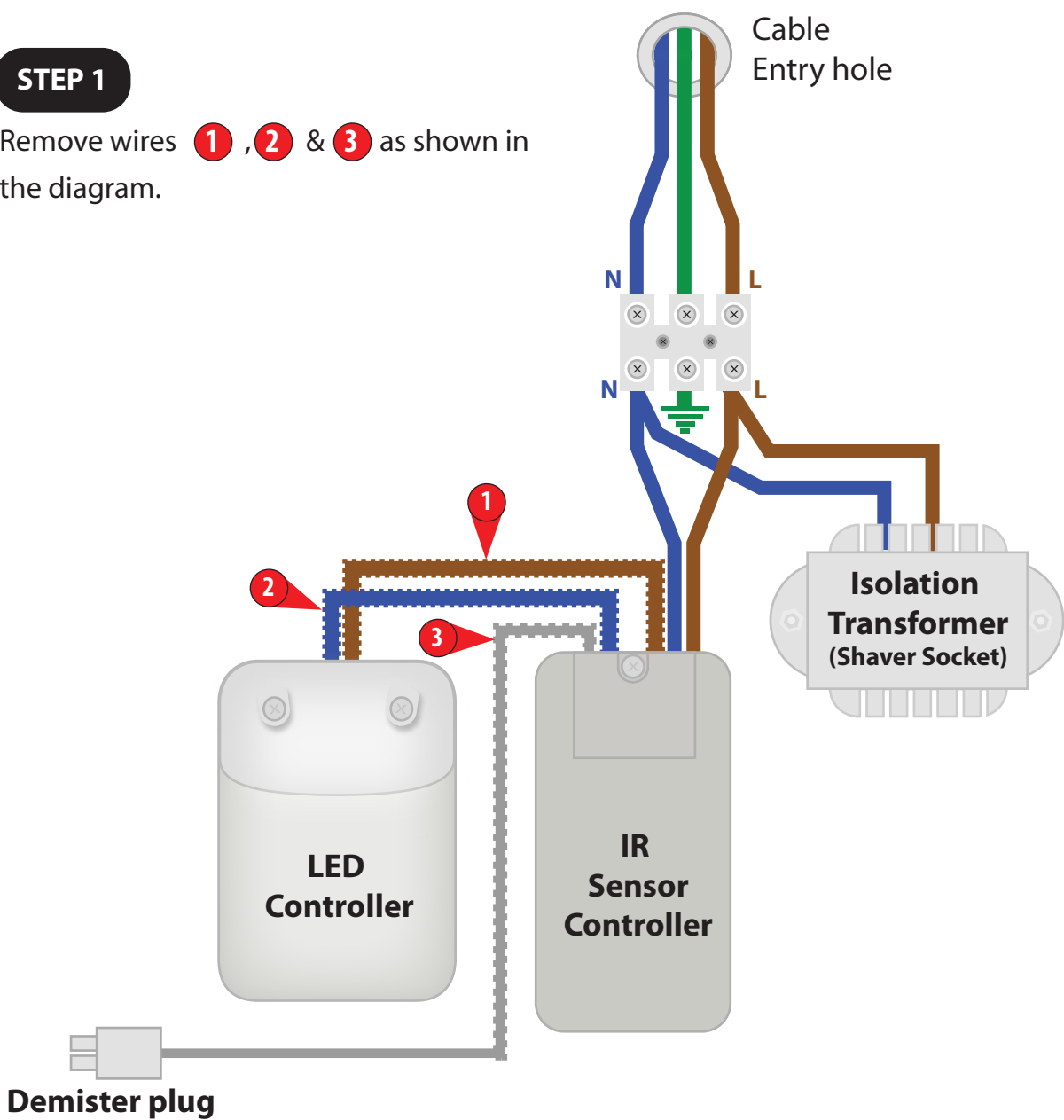
## FOR IR SENSOR CONTROL

With this wiring diagram, LED mirror is ready to be switched ON & OFF with an inbuilt IR Sensor!



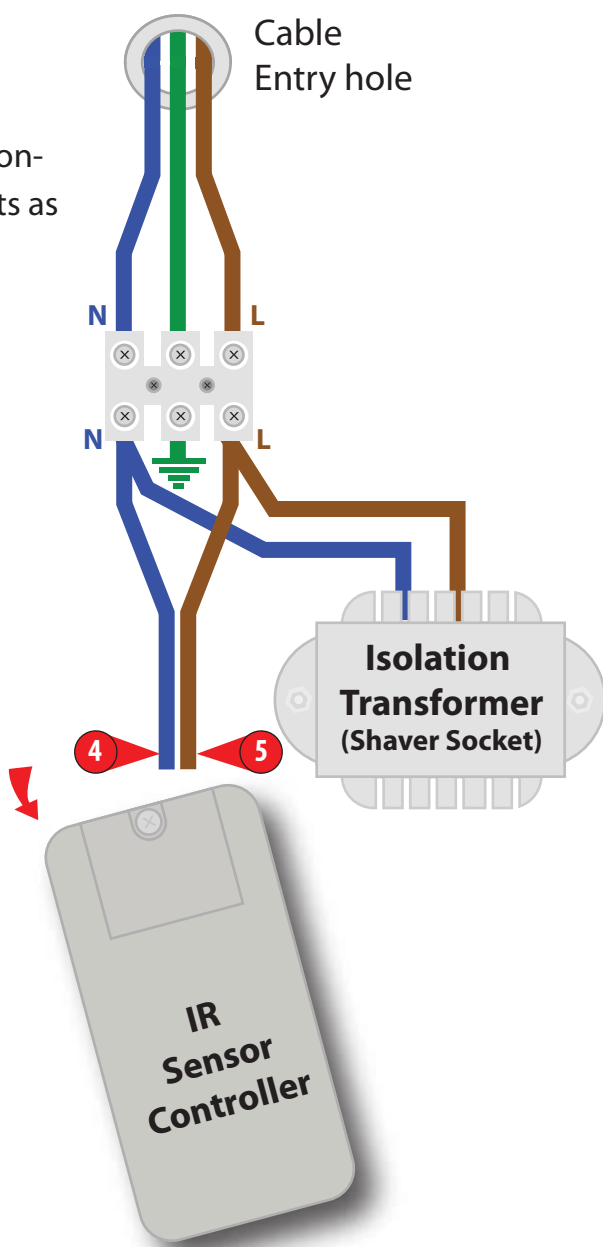
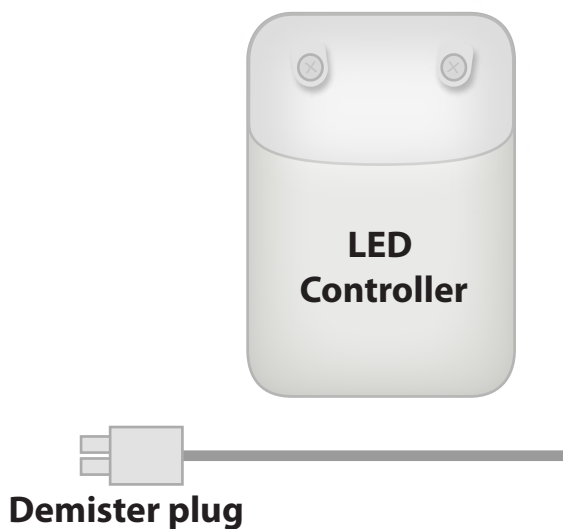
## STEP 1

Remove wires **1**, **2** & **3** as shown in the diagram.



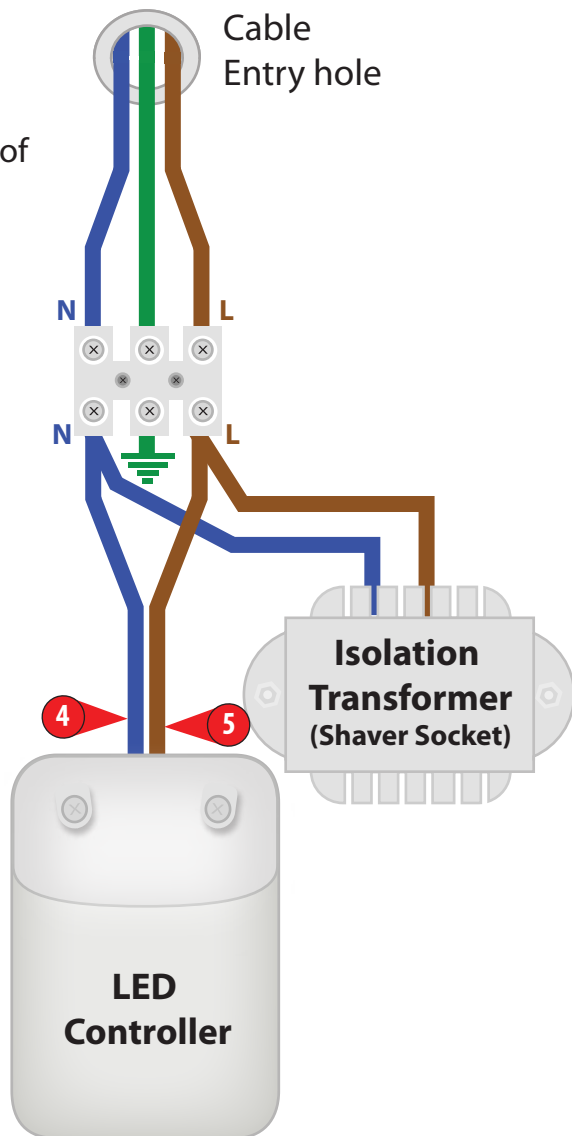
## STEP 2

Remove 'IR Sensor Controller' unit by disconnecting wires ④ & ⑤ from their contacts as shown in the diagram.



### STEP 3

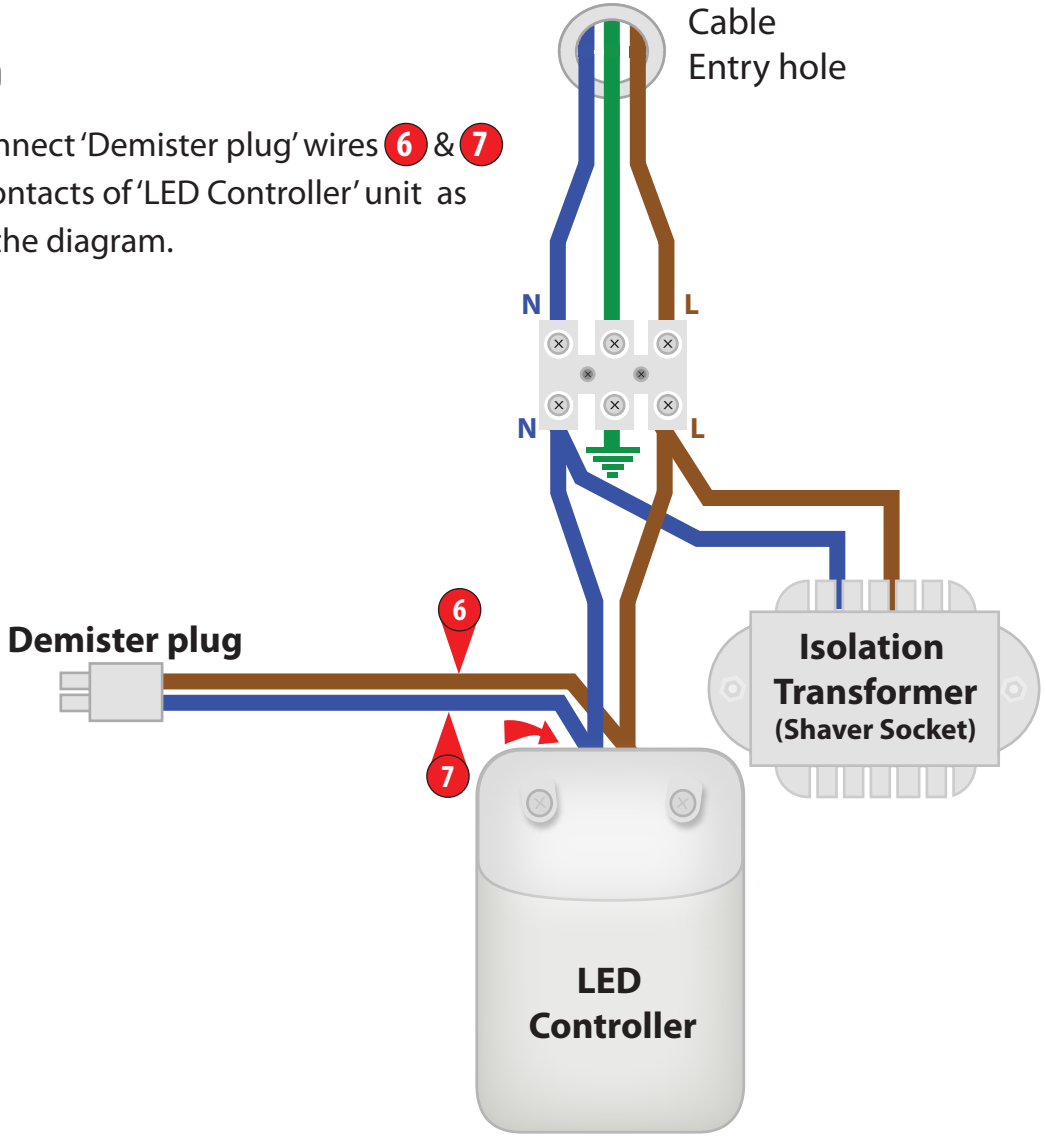
Reconnect wires **4** & **5** to the contacts of 'LED Controller' unit as shown in the diagram.



Cable  
Entry hole

**STEP 4**

Finally, connect 'Demister plug' wires **6** & **7** into the contacts of 'LED Controller' unit as shown in the diagram.



**FOR WALL SWITCH CONTROL**

LED mirror is ready to be switched ON & OFF with an external wall switch!

